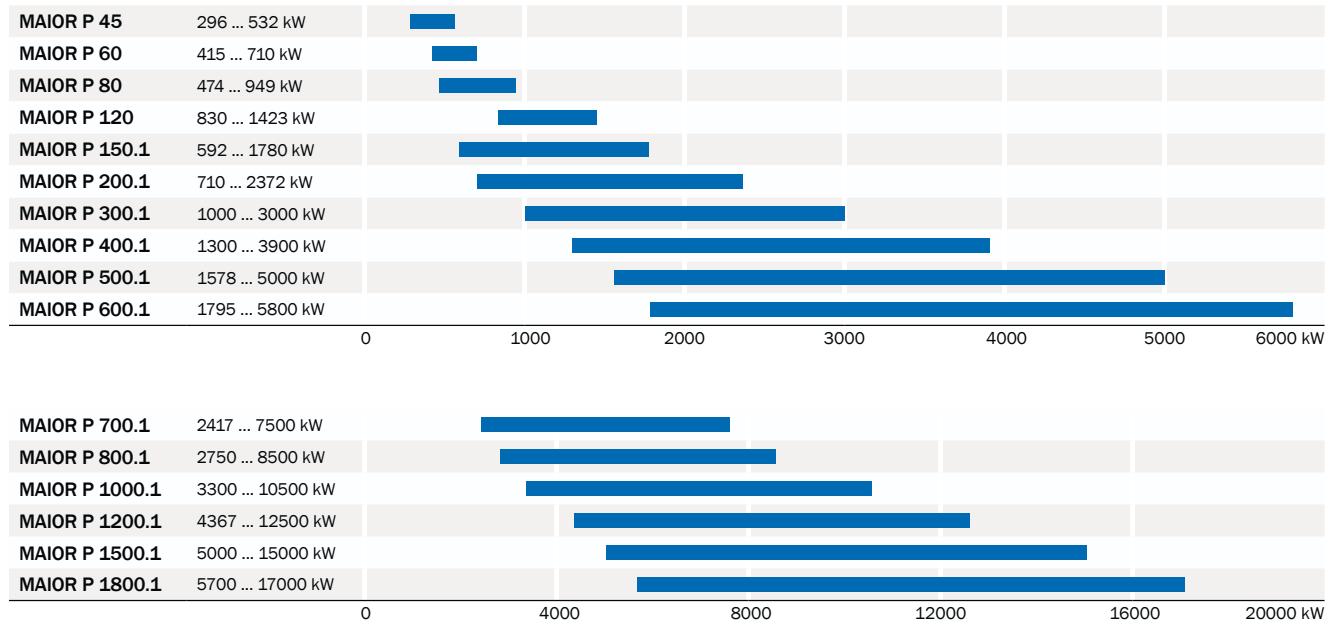


Ecoflam

TECHNICAL CATALOGUE



RANGE OVERVIEW



MAIN FEATURES

- Two stage version with hydraulic jack or electric servomotor up to MAIOR P 400.1
- Progressive mechanical version with flow return nozzle
- Modulating version with PID system controller with digital set point display and real time value
- Version with fully electronic Burner Management System available for all models
- Version with sliding bars standard for models from MAIOR 700.1 to MAIOR 1200.1
- Adjustable combustion head for easy regulation and matching with different combustion chambers



CONFIGURATIONS

MAIOR range is available in the following operation modes:

MAIOR P ... AB	Two stages	MAIOR P 60 AB ... P 400.1 AB
MAIOR P ... AB HS	Two stages with hydraulic jack	MAIOR P 60 AB HS ... P 400.1 AB HS
MAIOR P ... PR	Two stages progressive/modulating mechanical	MAIOR P 45 PR ... P 1800.1 PR
MAIOR P ... PRE	Two stages progressive/modulating electronic	MAIOR P 45 PRE ... P 1800.1 PRE

Other available configurations:

- Continuous ventilation versions
- Versions with specific pump for light oil with maximum viscosity 5°E at 20°C
- OEM and other special versions on request according to feasibility

FUEL

- Light oil (viscosity from 1,6 cSt to 6 cSt at 20°C)

EMISSIONS

Class	NOx mg/kWh
1	250
2	185
3	120

All models are in compliance with EN 267 European Standard

CONFORM TO

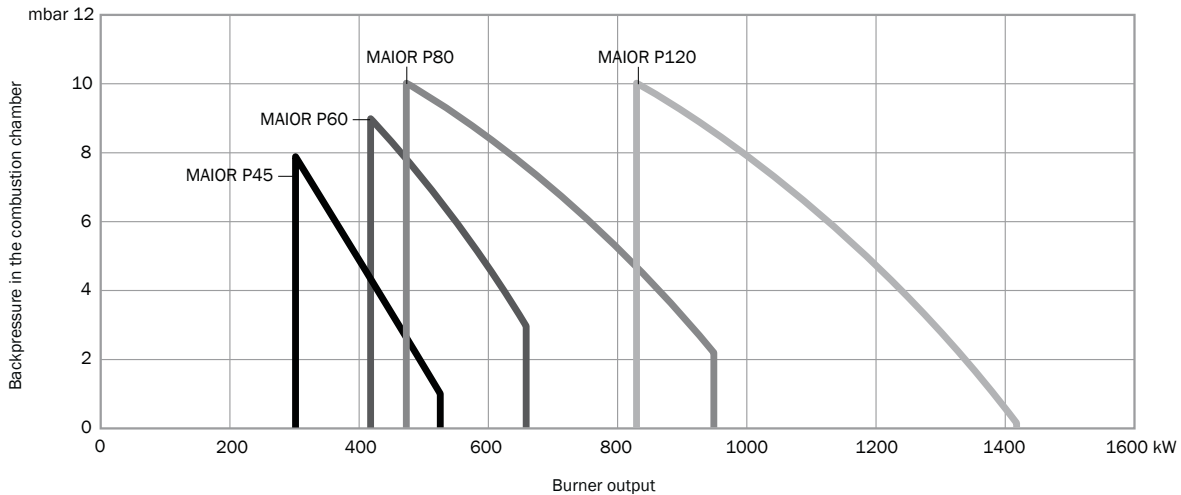
- All products are in accordance with the following directives:
- 2006/42/EC Machinery Directive
 - 2014/30/UE EMC Directive
 - 2014/35/UE Low Voltage Directive



Range | Models
MAIOR P 45 - P 60 - P 80 - P 120

- Fuel: light oil (viscosity from 1,6 cSt to 6 cSt at 20 °C)
- Operation: two stages, two stages with hydraulic jack, two stage progressive or modulating with the installation of a power regulator and dedicated probes (see page 102)
- Emission class: class 1 (≤ 250 mg/kWh) according to EN267

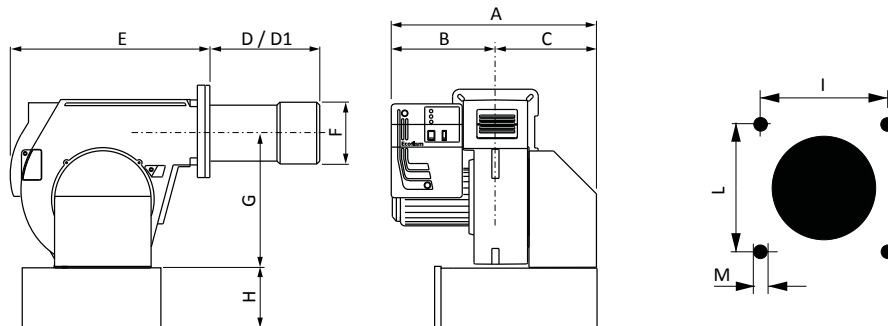
WORKING DIAGRAM



TECHNICAL DATA

	Burner output (kW)	Flow rate (kg/h)	Power supply	Motor (kW)	NOx class	Operation
MAIOR P 45	296 - 532	25 - 45	3/230-400V/50Hz	0,55	Class 1	PR, PRE
MAIOR P 60	415 - 710	35 - 60	3/230-400V/50Hz	1,1	Class 1	AB, AB HS, PR, PRE
MAIOR P 80	474 - 949	40 - 80	3/230-400V/50Hz	1,1	Class 1	AB, AB HS, PR, PRE
MAIOR P 120	830 - 1423	70 - 120	3/230-400V/50Hz	2,2	Class 1	AB, AB HS, PR, PRE

OVERALL DIMENSIONS



Dimensions in mm
 Head length: D short / D1 long
 *: with silencer (optional)

	A	B	C	D	D1	E	F	G	H*	I	L	M
MAIOR P 45	590	330	260	200	390	555	160	390	225	190	190	M10
MAIOR P 60	590	330	260	235	395	555	180	390	225	190	190	M10
MAIOR P 80	590	330	260	235	395	555	180	390	225	190	190	M10
MAIOR P 120	690	350	340	225	445	555	190	390	225	190	190	M10

BURNERS

Two stages

Model	Head	Code
MAIOR P 60 AB	TC	3121016
	TL	3122265
MAIOR P 80 AB	TC	3121018
	TL	3122266
MAIOR P 120 AB	TC	3121020
	TL	3122269



MAIOR P 60 AB HS

Two stages with hydraulic jack

Model	Head	Code
MAIOR P 60 AB HS	TC	3140151
	TL	3140152
MAIOR P 80 AB HS	TC	3121063
	TL	3121064
MAIOR P 120 AB HS	TC	3121065
	TL	3121066

Two stage progressive/modulating mechanical

Model	Head	Code
MAIOR P 45 PR	TL	3145193
MAIOR P 60 PR	TL	3145194
MAIOR P 80 PR	TL	3145195
MAIOR P 120 PR	TL	3145196

Two stage progressive/modulating electronic

Model	Head	Code
MAIOR P 45 PRE	TL	on request
MAIOR P 60 PRE	TL	on request
MAIOR P 80 PRE	TL	on request
MAIOR P 120 PRE	TL	on request

! Nozzle not included in the code of the burner - see pag. 114

OTHER AVAILABLE CONFIGURATIONS

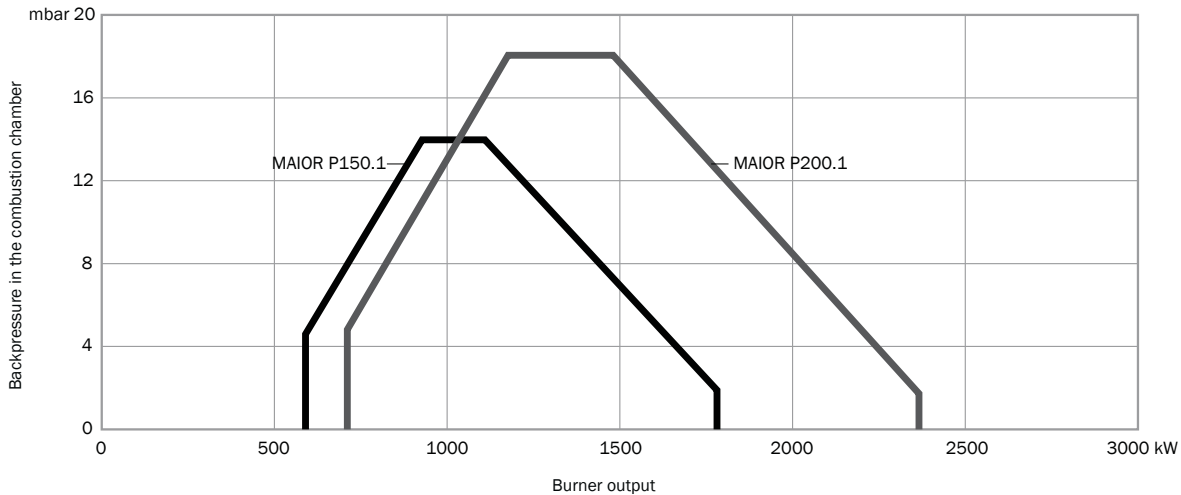
60 Hz	Continuous Ventilation (CV)	Post-purge
●	●	●

● Codes available on request

Range | Models
MAIOR | P 150.1 - P 200.1

- Fuel: light oil (viscosity from 1,6 cSt to 6 cSt at 20 °C)
- Operation: two stages, two stages with hydraulic jack, two stage progressive or modulating with the installation of a power regulator and dedicated probes (see page 102)
- Emission class: class 1 (≤ 250 mg/kWh) according to EN267

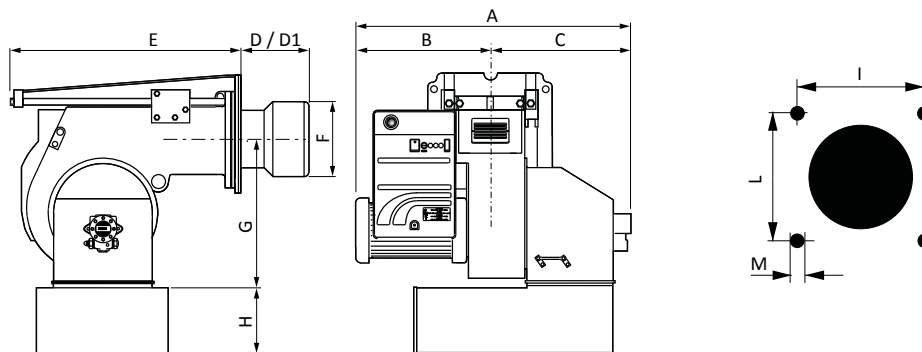
WORKING DIAGRAM



TECHNICAL DATA

	Burner output (kW)	Flow rate (kg/h)	Power supply	Motor (kW)	NOx class	Operation
MAIOR P 150.1	592 - 1780	50 - 150	3/230-400V/50Hz	3	Class 1	AB, AB HS, PR, PRE
MAIOR P 200.1	710 - 2372	60 - 200	3/230-400V/50Hz	4	Class 1	AB, AB HS, PR, PRE

OVERALL DIMENSIONS



Dimensions in mm
 Head length: **D** short / **D1** long
 *: with silencer (optional)

	A	B	C	D	D1	E	F	G	H*	I	L	M
MAIOR P 150.1	775	385	390	285	485	660	250	398	283	240	240	M14
MAIOR P 200.1	795	405	390	285	485	660	270	398	283	240	240	M14

BURNERS

Two stages

Model	Head	Code
MAIOR P 150.1 AB	TC	3121022
	TL	3121021
MAIOR P 200.1 AB	TC	3121024
	TL	3121023

Two stages with hydraulic jack

Model	Head	Code
MAIOR P 150.1 AB HS	TC	3121067
	TL	3121068
MAIOR P 200.1 AB HS	TC	3121069
	TL	3121070

Two stage progressive/modulating mechanical

Model	Head	Code
MAIOR P 150.1 PR	TL	3145197
MAIOR P 200.1 PR	TL	3145198

Two stage progressive/modulating electronic

Model	Head	Code
MAIOR P 150.1 PRE	TL	on request
MAIOR P 200.1 PRE	TL	on request

! Nozzle not included in the code of the burner - see pag. 114



MAIOR P 200.1 AB

OTHER AVAILABLE CONFIGURATIONS

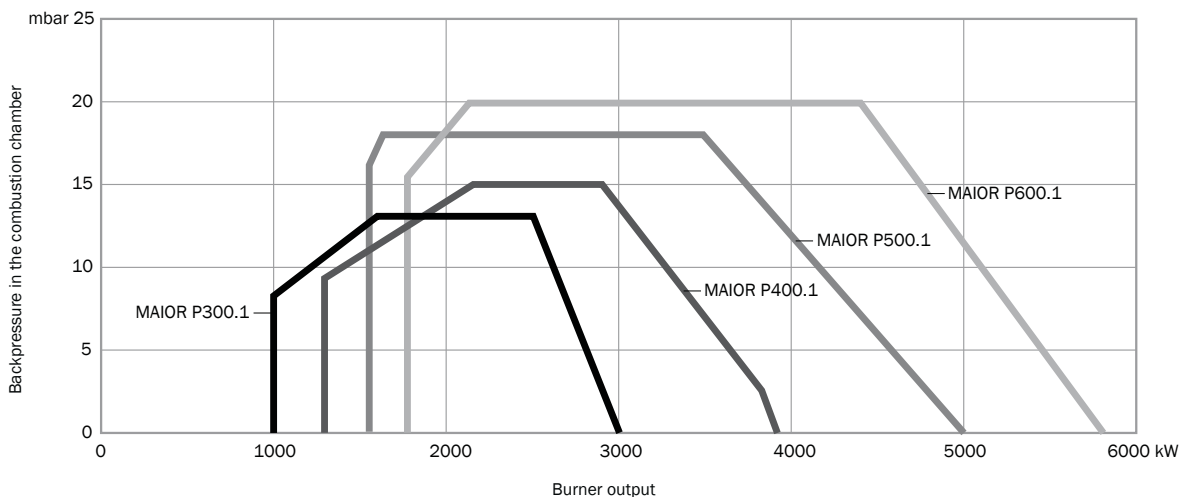
60 Hz	Continuous Ventilation (CV)	Post-purge
●	●	●

● Codes available on request

Range | Models
MAIOR P 300.1 - P 400.1 - P 500.1 - P 600.1

- Fuel: light oil (viscosity from 1,6 cSt to 6 cSt at 20 °C)
- Operation: two stages, two stages with hydraulic jack, two stage progressive or modulating with the installation of a power regulator and dedicated probes (see page 102)
- Emission class: class 1 (≤ 250 mg/kWh) according to EN267

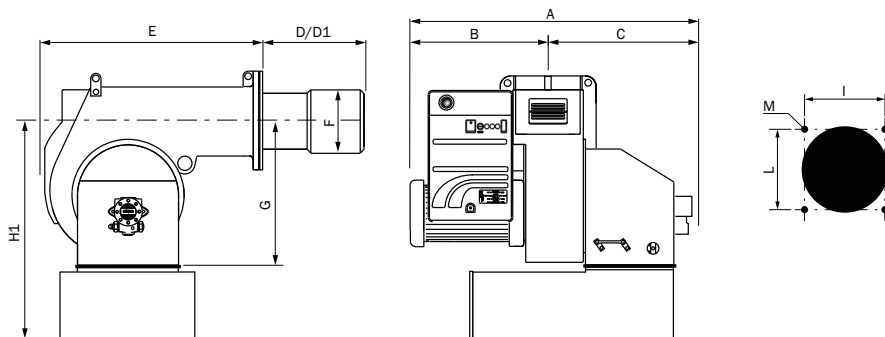
WORKING DIAGRAM



TECHNICAL DATA

	Burner output (kW)	Flow rate (kg/h)	Power supply	Motor (kW)	NOx class	Operation
MAIOR P 300.1	1000 - 3000	85 - 250	3/400V/50Hz	7,5	Class 1	AB, PR, PRE
MAIOR P 400.1	1300 - 3900	110 - 330	3/400V/50Hz	9	Class 1	AB, PR, PRE
MAIOR P 500.1	1578 - 5000	134 - 422	3/400V/50Hz	11	Class 1	PR, PRE
MAIOR P 600.1	1795 - 5800	153 - 490	3/400V/50Hz	15	Class 1	PR, PRE

OVERALL DIMENSIONS



Dimensions in mm
 Head length: **D** short / **D1** long
 *: with silencer (optional)

	A	B	C	D	D1	E	F	G	H1*	I	L	M
MAIOR P 300.1	1055	502	553	330	530	810	290	471	746	315	315	M16
MAIOR P 400.1	1100	547	553	345	545	810	320	471	746	315	315	M16
MAIOR P 500.1	1180	535	645	355	555	970	320	570	965	330	330	M16
MAIOR P 600.1	1190	545	645	355	555	970	320	570	965	330	330	M16

BURNERS

Two stages

Model	Head	Code
MAIOR P 300.1 AB	TC	3143731
	TL	3143742
MAIOR P 400.1 AB Z3	TC	3143733
	TL	3143732

Two stages with hydraulic jack

Model	Head	Code
MAIOR P 300.1 AB HS	TC	3143743
	TL	3143744
MAIOR P 400.1 AB HS Z3	TC	3143745
	TL	3143746

Two stage progressive/modulating mechanical

Model	Head	Code
MAIOR P 300.1 PR	TC	3143734
	TL	3143735
MAIOR P 400.1 PR	TC	3143736
	TL	3143737
MAIOR P 500.1 PR	TC	3143738
	TL	3143739
MAIOR P 600.1 PR	TC	3143740
	TL	3143741

Two stage progressive/modulating electronic

Model	Head	Code
MAIOR P 300.1 PRE	TC	on request
	TL	on request
MAIOR P 400.1 PRE	TC	on request
	TL	on request
MAIOR P 500.1 PRE	TC	on request
	TL	on request
MAIOR P 600.1 PRE	TC	on request
	TL	on request

! Nozzle not included in the code of the burner - see pag. 114



MAIOR P 500.1 PR

OTHER AVAILABLE CONFIGURATIONS

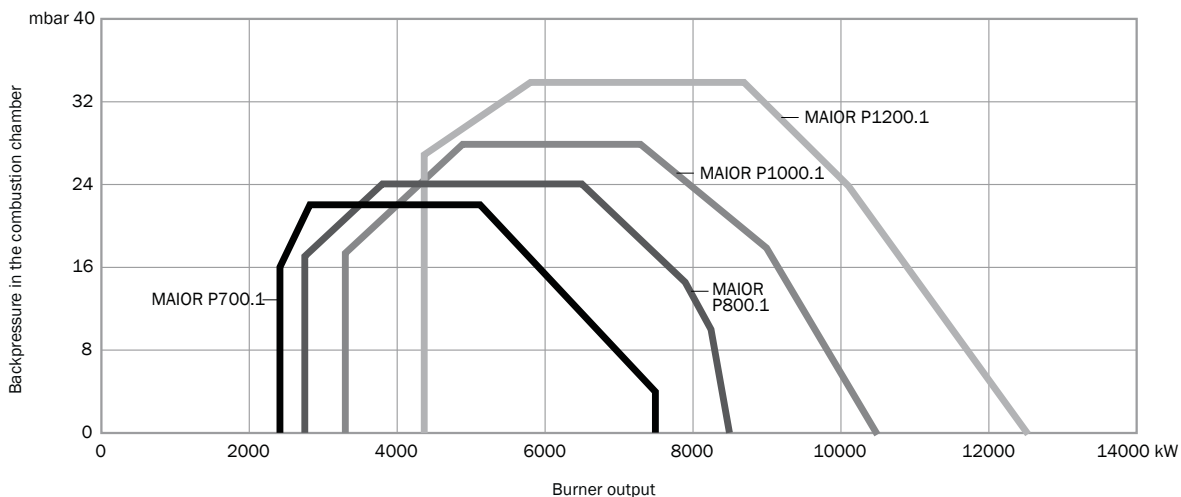
60 Hz	Continuous Ventilation (CV)	Post-purge
●	●	●

● Codes available on request

Range | Models
MAIOR P 700.1 - P 800.1 - P 1000.1 - P 1200.1

- Fuel: light oil (viscosity from 1,6 cSt to 6 cSt at 20 °C)
- Operation: two stage progressive or modulating with the installation of a power regulator and dedicated probes (see page 102)
- Emission class: class 1 (≤ 250 mg/kWh) according to EN267

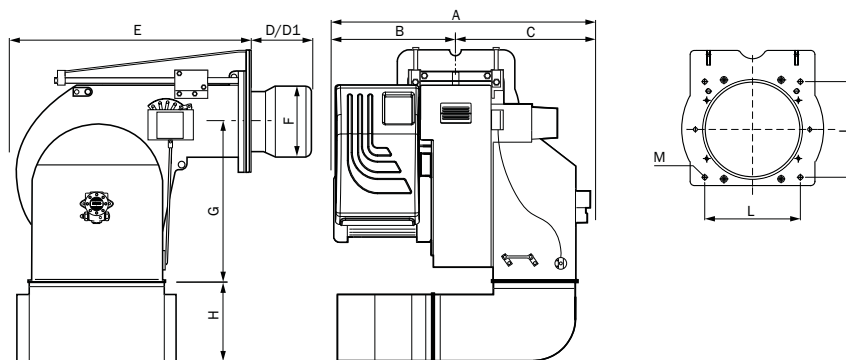
WORKING DIAGRAM



TECHNICAL DATA

	Burner output (kW)	Flow rate (kg/h)	Power supply	Motor (kW)	NOx class	Operation
MAIOR P 700.1	2417 - 7500	205 - 634	3/400V/50Hz	15	Class 1	PR, PRE
MAIOR P 800.1	2750 - 8500	234 - 718	3/400V/50Hz	18,5	Class 1	PR, PRE
MAIOR P 1000.1	3300 - 10500	281 - 887	3/400V/50Hz	22	Class 1	PR, PRE
MAIOR P 1200.1	4367 - 12500	371 - 1056	3/400V/50Hz	37	Class 1	PR, PRE

OVERALL DIMENSIONS



Dimensions in mm
 Head length: D short / D1 long
 *: with silencer (optional)

	A	B	C	D	D1	E	F	G	H*	I	L	M
MAIOR P 700.1	1340	585	755	457	-	1247	420	800	500	460	460	M20
MAIOR P 800.1	1410	655	755	457	-	1247	420	800	500	460	460	M20
MAIOR P 1000.1	1440	685	755	457	-	1247	420	800	500	460	460	M20
MAIOR P 1200.1	1550	795	755	457	-	1247	450	800	500	460	460	M20


BURNERS

Two stage progressive/modulating mechanical

Model	Head	Code
MAIOR P 700.1 PR	TC	3145199
	TL	3145200
MAIOR P 800.1 PR	TC	3142963
MAIOR P 1000.1 PR	TC	3145201
MAIOR P 1200.1 PR	TC	3145202

Two stage progressive/modulating electronic

Model	Head	Code
MAIOR P 700.1 PRE	TC	on request
MAIOR P 800.1 PRE	TC	on request
MAIOR P 1000.1 PRE	TC	on request
MAIOR P 1200.1 PRE	TC	on request

 Nozzle not included in the code of the burner - see pag. 114



MAIOR P 800.1 PR

OTHER AVAILABLE CONFIGURATIONS

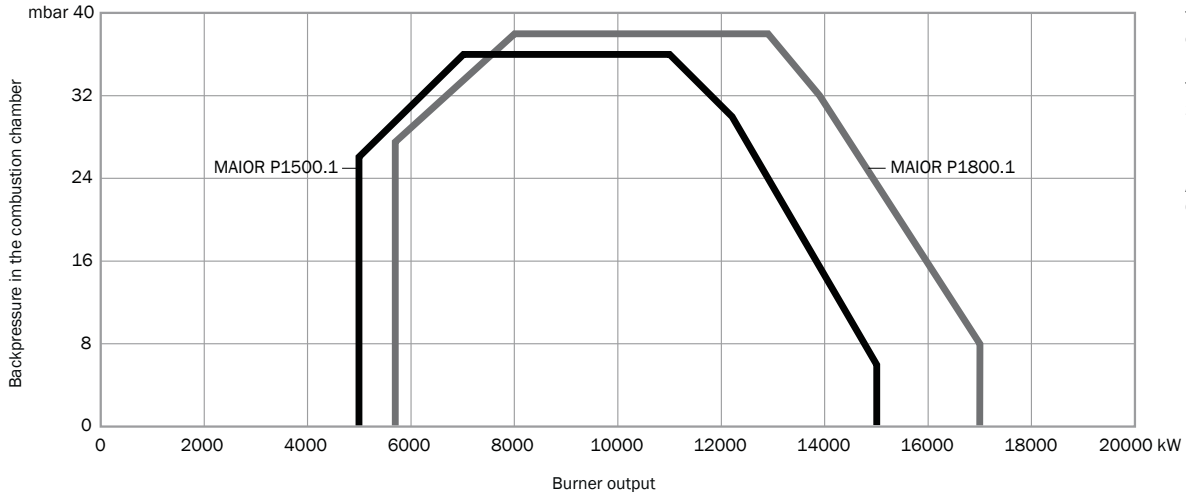
60 Hz	Continuous Ventilation (CV)	Post-purge
●	●	●

● Codes available on request

Range | Models
MAIOR P 1500.1 - P 1800.1

- Fuel: light oil (viscosity from 1,6 cSt to 6 cSt at 20 °C)
- Operation: two stage progressive or modulating with the installation of a power regulator and dedicated probes (see page 102)
- Emission class: class 1 (≤ 250 mg/kWh) according to EN267

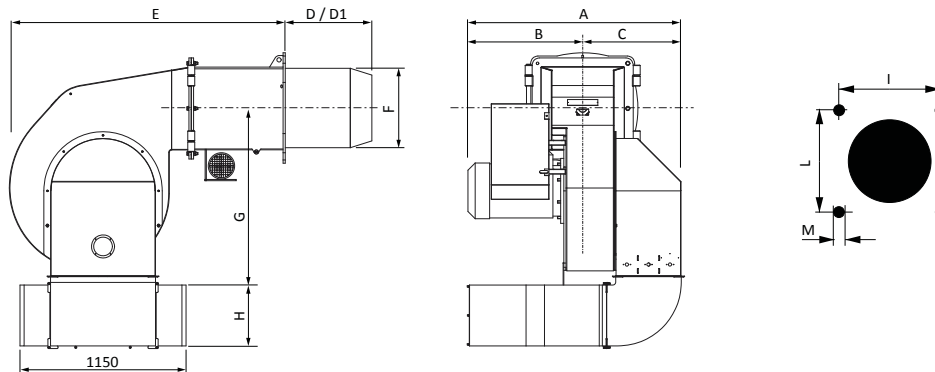
WORKING DIAGRAM



TECHNICAL DATA

	Burner output (kW)	Flow rate (kg/h)	Power supply	Motor (kW)	NOx class	Operation
MAIOR P 1500.1	5000 - 15000	422 - 1268	3/400V/50Hz	45	Class 1	PR, PRE
MAIOR P 1800.1	5700 - 17000	482 - 1437	3/400V/50Hz	55	Class 1	PR, PRE

OVERALL DIMENSIONS



Dimensions in mm
 Head length: D short / D1 long
 *: with silencer (optional)

	A	B	C	D	D1	E	F	G	H	I	L	M
MAIOR P 1500.1	1670	800	870	590	-	1750	550	1100	500	620	620	M20
MAIOR P 1800.1	1670	800	870	590	-	1750	550	1100	500	620	620	M20

BURNERS

Two stage progressive/modulating mechanical

Model	Head	Code
MAIOR P 1500.1 PR	TC	3142964
MAIOR P 1800.1 PR	TC	3145203

Two stage progressive/modulating electronic

Model	Head	Code
MAIOR P 1500.1 PRE	TC	on request
MAIOR P 1800.1 PRE	TC	on request

! Nozzle not included in the code of the burner - see pag. 114



MAIOR P 1500.1 PR

OTHER AVAILABLE CONFIGURATIONS

60 Hz	Continuous Ventilation (CV)	Post-purge
●	●	●

● Codes available on request

HEAD OFFICE:
Via Roma, 64
31023 Resana (TV)

REGISTERED OFFICE:
Viale A. Merloni, 45
60044 Fabriano (AN)

Tel.: +39 0423 719500
Fax: +39 0423 719580
Email: export@ecoflam-burners.com

Company subject to the direction and coordination of Ariston Thermo SpA. Via A. Merloni, 45 - 60044 Fabriano (AN) - CF 01026940427

Version 1.1 - 02/10/2017

ECOFLAM Bruciatori S.p.A. reserve the right to make any adjustments, without prior notice, which is considered necessary or useful to its products, without affecting their main features.